

MOUNTING REFERENCE GUIDE

VESA 75/ 100 FLAT PANEL WITH SPACE-SAVING L-BRACKET AND KEYBOARD/ MOUSE



CIM Cable Integrated Mounting System



CONTENT

General notes	3
How to create part numbers	4
Product highlights	6
Support arm pivot	7
Extended pivot arm	9
Height adjustable arm	11
Extended height adjustable arm	13
Fixings	15
Fixings for anaesthesia machines	16



GENERAL NOTES

Monitor adaptation

The monitor adaptation VESA 75/ 100 is provided with a spring for counter-balance.

Components' grounding

All arms with integrated cable management are equipped with **component grounding**. No grounding is required for arms with external or semi-integrated cable management with cables not being led through joints.

Load capacity

All **height adjustable arms** have a load capacity of 22 kg/ 48.5 lbs. Rear mounted monitor adaptations and horizontally mounted 5" plunge plates accept a maximum monitor weight of 18 kg/ 39.7 lbs. An additional 4 kg/ 8.8 lbs may be mounted on a down-post underneath the front swivel part. Depending on material and tensile factor all weight indications have a 4-fold and/ or 6-fold safety factor according to EN 60601-1, 3rd Edition regulations.

Custom-designed solutions and MRI applications

Please contact us for **custom-designed** solutions.

Product marking

All CIM products are CE marked. As **medical product risk class 1** and they conform with the regulations MDD 93/42 ECC and EN 60601-1, 3rd Edition. TUEV reports for numerous products especially for anaesthesia applications guarantee electrical and mechanical safety of our products and are available upon request.





HOW TO CREATE PART NUMBERS

Part numbers can be easily created by following the steps below:

Please replace the letters in **green** with the part no. code as per your requirements.

1. Components' grounding:

A = grounded

2. Choose the arm version required:

224L/ 230L = pivot arm

H33030L = extended pivot arm

431L = height adjustable arm

73130L = extended height adjustable arm

3. Specify where you want to mount the arm and select the fixing (Y):

1V = pole \varnothing 23 - 40 mm/ 0.9 - 1.6"

1 = pole \varnothing 25 mm/ 1.0"

1F = pole \varnothing 35 mm/ 1.4"

1C = pole \varnothing 38 mm/ 1.5"

2F = horizontal rails 10 x 25, 8 x 35, 10 x 30, 10 x 50 mm

3 = vertical rail

3DR = dual vertical rails, distance 150 mm/ 5.9"

3TX = dual vertical rails, distance 225 mm/ 8.9"

4V = vertical wall channel

4U = anaesthesia machine with existing GCX channel

82 = adapter to Trumpf klinoPORT frontal

9 = Heinen & Löwenstein anaesthesia machine

10 = Maquet FLOW i anaesthesia machine

4. Choose the colour requested for decorative parts (C):

gr = RAL 7024 (dark grey)

bl = RAL 5013 (blue)

5. Choose the colour requested for the aluminium die-cast parts (D):

1 = RAL 9016 (pure white)

2 = RAL 9002 (grey white)



HOW TO CREATE PART NUMBERS

6. Specify the spring depending on the weight of your monitor/ device - only with height adjustable arms. Please note that the weight range of the individual springs may vary depending on the bracket (X):

Pneumatic Springs Explained:

The weight ranges of the pneumatic springs shown in our catalogues relate to the minimum and maximum weights of the products that can be added to the arm, for a perfectly balanced solution. The weight ranges can vary with the same pneumatic springs, as the overall weights placed on the front of the arms have to be considered. The total weight not only reflects the actual monitor weight, but also includes monitor adaptations, brackets and/ or trays. When choosing the pneumatic spring, please consider the weight of your monitor/ device only.

L-bracket

95	=	2 - 8 kg / 4.4 - 17.6 lbs
130	=	6 - 12 kg / 13.3 - 26.5 lbs

7. Specify the requested size of the keyboard tray and mouse (T):

30S	=	300 x 210 mm / 11.8 x 8.3"
40S	=	400 x 150 mm / 15.7 x 5.9"
50S	=	500 x 200 mm / 19.7 x 7.9"
58S	=	580 x 200 mm / 22.8 x 7.9"

EXAMPLE

1		2		3		4 & 5		6		7
Grounding		Arm version		Fixing		Colour		Spring tension		Keyboard Tray
A	-	431L	-	Y	.	CD	-	X	-	T
A	-	431L	-	4V	.	gr1	-	95	-	30S

PRODUCT HIGHLIGHTS

Non-height adjustable arm

Pivot and extended pivot arms offer **full cable integration** and easy cleaning for **infection control** in all critical care areas in the clinical environment. Our **5-years warranty** guarantees reliable, trouble-free and maintenance-free operation. The swivel function at the fixing point as well as the **tilt/ swivel function** of the monitor adaptation offers optimum positioning of your device. The extended pivot arm is a two-part arm with central pivot point between the two arm sections. All bottom-mounted monitors have the safety feature of a **20° tilt stop**.

Height adjustable arm

The height adjustable arm offers **full cable integration**, one-wipe clean surfaces and our **5-year warranty** on the entirety of the product. Vertically and horizontally adjustable, the arm offers optimal positioning of your device. A constant viewing angle when vertically adjusted is guaranteed by a parallel linkage. **Weight-optimized springs counter-balance** the monitor without making any adjustments. All bottom-mounted monitors have the safety feature of a **20° tilt stop**. Individual rotational stops may be integrated in any joint.

SAFETY

To provide the perfect combination of arm and monitor, the CIM articulated height adjustable arm has a simple quarter-turn lock to hold the arm safely in position when removing the monitor. Furthermore the arm is equipped with the unique safety feature of a slow-release gas spring. Should anybody try to remove the monitor before locking the arm in position, the arm will only rise at a slow and even tempo.



SUPPORT ARM PIVOT

Monitor/ keyboard adaption	L-bracket VESA 75/ 100 and keyboard/ mouse tray
Colours to choose	decorative parts: RAL 5013 blue / RAL 7024 dark grey aluminum parts: RAL 9016 pure white / RAL 9002 grey white
Max. load capacity support arm	18 kg/ 39.7 lbs
Max. load monitor adaption	12 kg/ 26.5 lbs
Product weight	240 mm: 3.2 - 4.5 kg / 9.5": 7.1 - 9.9 lbs (according to dimensions of keyboard tray) 300 mm: 3.3 - 4.6 kg / 11.8": 7.3 - 10.1 lbs (according to dimensions of keyboard tray)
Keyboard tray dimension	300 x 210 mm, 400 x 150 mm, 500 x 200 mm, 580 x 200 mm 11.8 x 8.3", 15.7 x 5.9", 19.7 x 7.9", 22.8 x 7.9"
Part number	A-224L-Y.CD_T arm length 240 mm/ 9.5" A-230L-Y.CD_T arm length 300 mm/ 11.8"



Fixings Y / details page 15 and 16



4V

Adapter for vertical wall channel



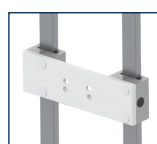
2F

Fixed rail clamp



3

Vertical rail clamp



3DR
3TX

Dual vertical rail clamp



1
1F
1C
1V

Fixed / universal pole clamp



82

Adapter Trumpf klinoPORT front



10

Adapter for Maquet anaesthesia machines



9

Adapter for Heinen & Löwenstein anaesthesia machines



4U

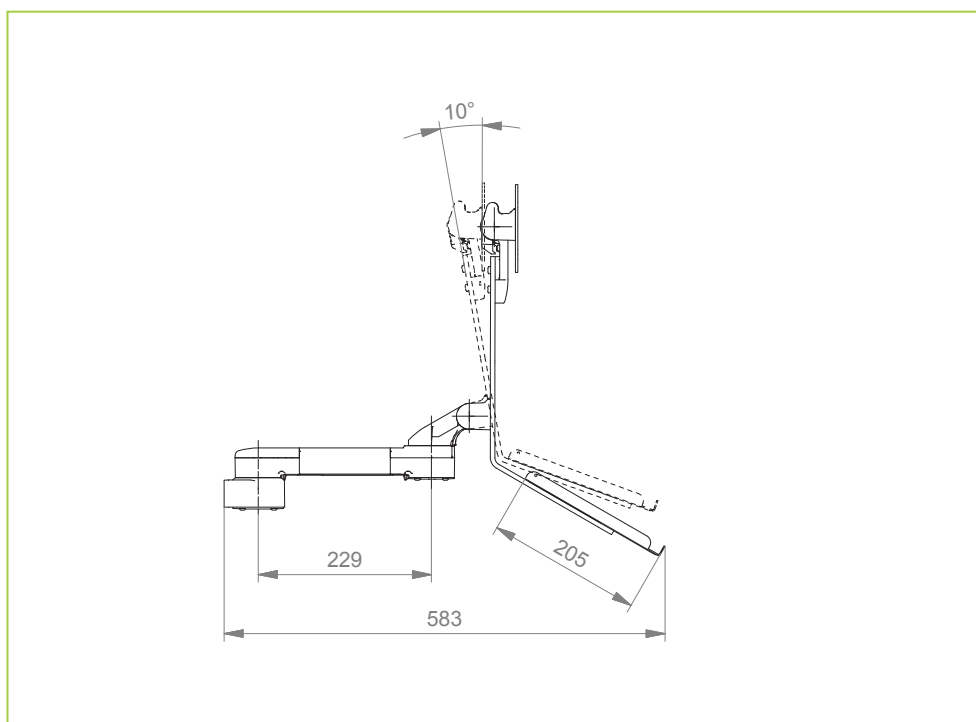
Adapter for anaesthesia machines with existing side channel



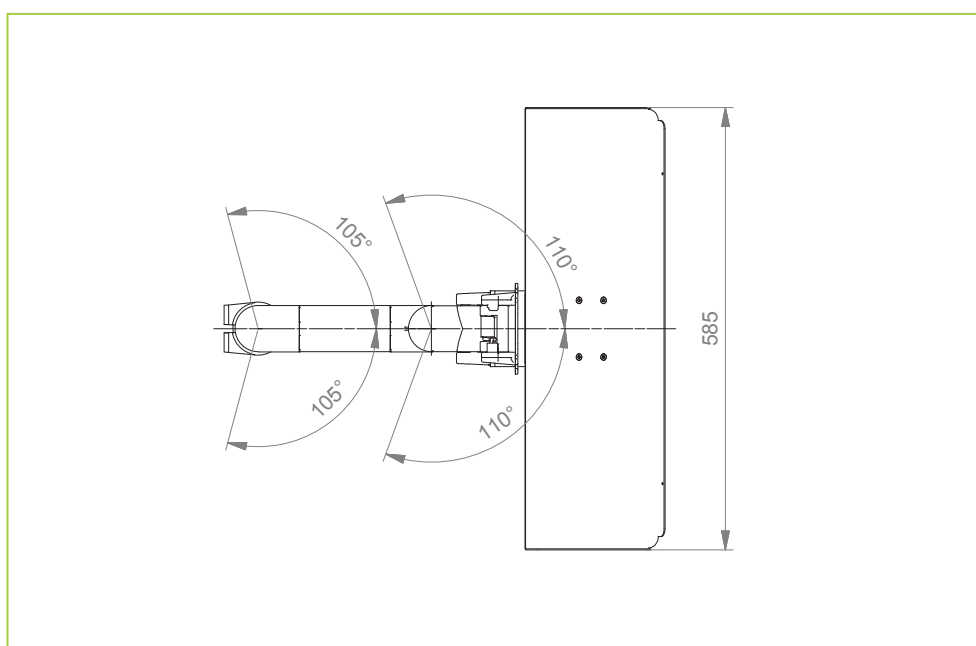
SUPPORT ARM PIVOT

Technical data - arm length 300 mm/ 11.8", keyboard tray 580 x 200 mm/ 22.8 x 7.9"

Side view



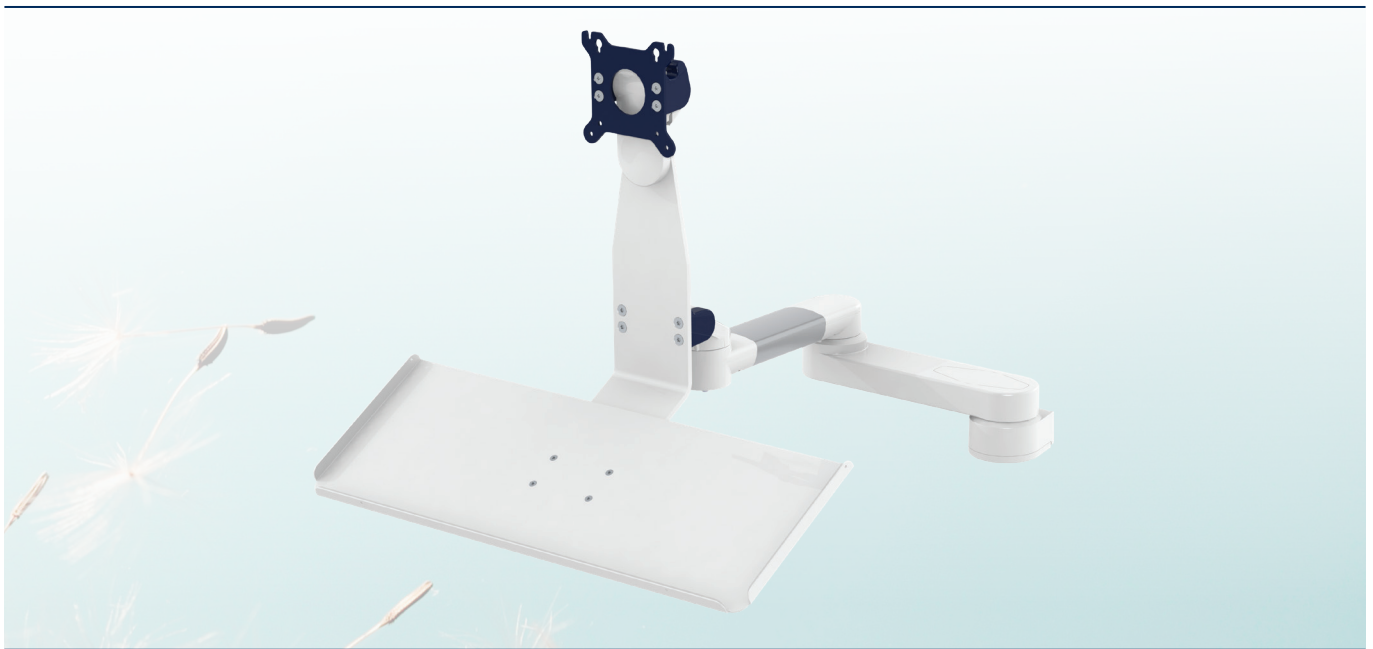
Top view





EXTENDED PIVOT ARM

Monitor/ keyboard adaption	L-bracket VESA 75/ 100 and keyboard/ mouse tray
Colours to choose	decorative parts: RAL 5013 blue / RAL 7024 dark grey aluminum parts: RAL 9016 pure white / RAL 9002 grey white
Max. load capacity support arm	18 kg/ 39.7 lbs
Max. load monitor adaptation	12 kg/ 26.5 lbs
Product weight	4.3 - 5.6 kg/ 9.5 - 12.3 lbs (according to dimensions of keyboard tray)
Keyboard tray dimension	300 x 210 mm, 400 x 150 mm, 500 x 200 mm, 580 x 200 mm 11.8 x 8.3", 15.7 x 5.9", 19.7 x 7.9", 22.8 x 7.9"
Part number	A-H33030L-Y.CD_T



Fixings Y / details page 15 and 16



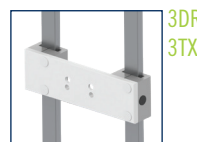
4V
Adapter for vertical wall channel



2F
Fixed rail clamp



3
Vertical rail clamp



3DR
3TX
Dual vertical rail clamp



1
1F
1C
1V
Fixed / universal pole clamp



82
Adapter Trumpf klinoPORT front



10
Adapter for Maquet anaesthesia machines



9
Adapter for Heinen & Löwenstein anaesthesia machines



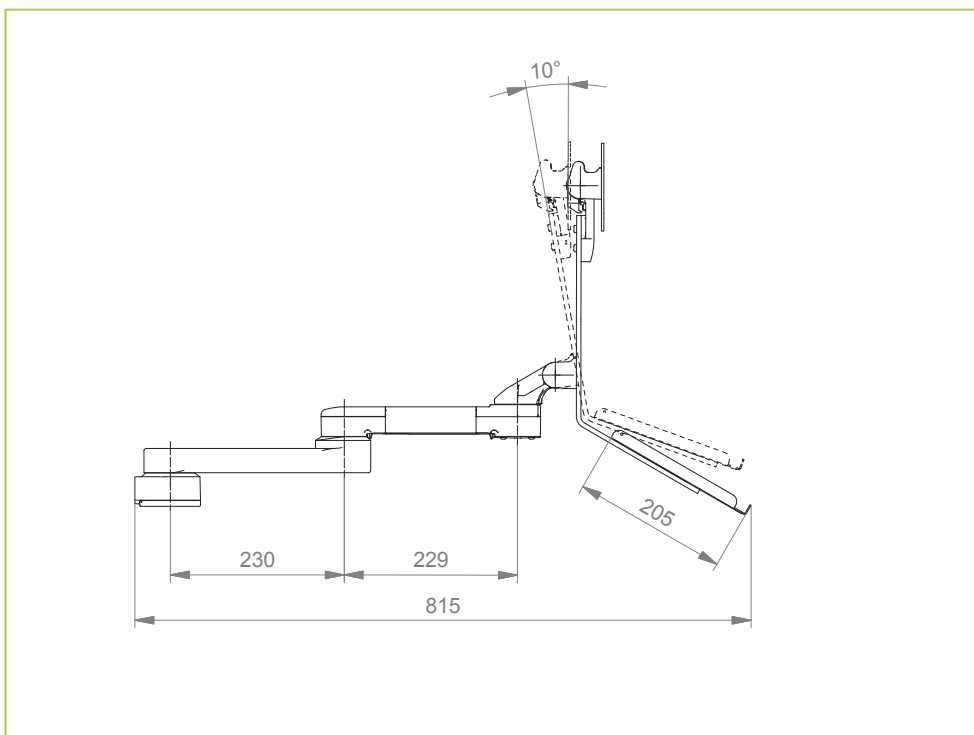
4U
Adapter for anaesthesia machines with existing side channel



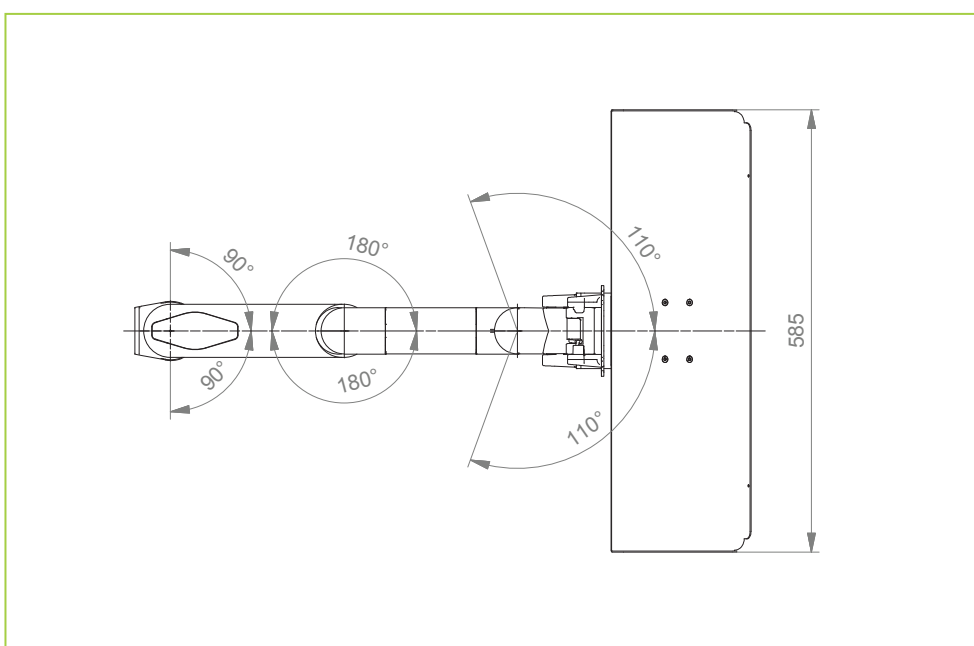
EXTENDED PIVOT ARM

Technical data - keyboard tray 580 x 200 mm/ 22.8 x 7.9"

Side view



Top view





HEIGHT ADJUSTABLE ARM

Monitor/ keyboard adaption	L-bracket VESA 75/ 100 and keyboard/ mouse tray
Height adjustment	slow-flowing spring, parallel linkage for a constant viewing angle
Colours to choose	decorative parts: RAL 5013 blue / RAL 7024 dark grey aluminum parts: RAL 9016 pure white / RAL 9002 grey white
Max. load capacity support arm	18 kg/ 39.7 lbs
Max. load monitor adaptation	12 kg/ 26.5 lbs
Product weight	4.9 - 6.2 kg/ 10.8 - 13.7 lbs (according to dimensions of keyboard tray)
Balancing range	950 N (2 - 8 kg/ 4.4 - 17.6 lbs); 1300 N (6 - 12 kg/ 13.2 - 26.5 lbs)
Keyboard tray dimension	300 x 210 mm, 400 x 150 mm, 500 x 200 mm, 580 x 200 mm 11.8 x 8.3", 15.7 x 5.9", 19.7 x 7.9", 22.8 x 7.9"
Part number	A-431L-Y.CD_X_T



Fixings Y / details page 15 and 16



Adapter for vertical wall channel



Fixed rail clamp



Vertical rail clamp



Dual vertical rail clamp



Fixed / universal pole clamp



Adapter Trumpf klinoPORT front



Adapter for Maquet anaesthesia machines



Adapter for Heinen & Löwenstein anaesthesia machines



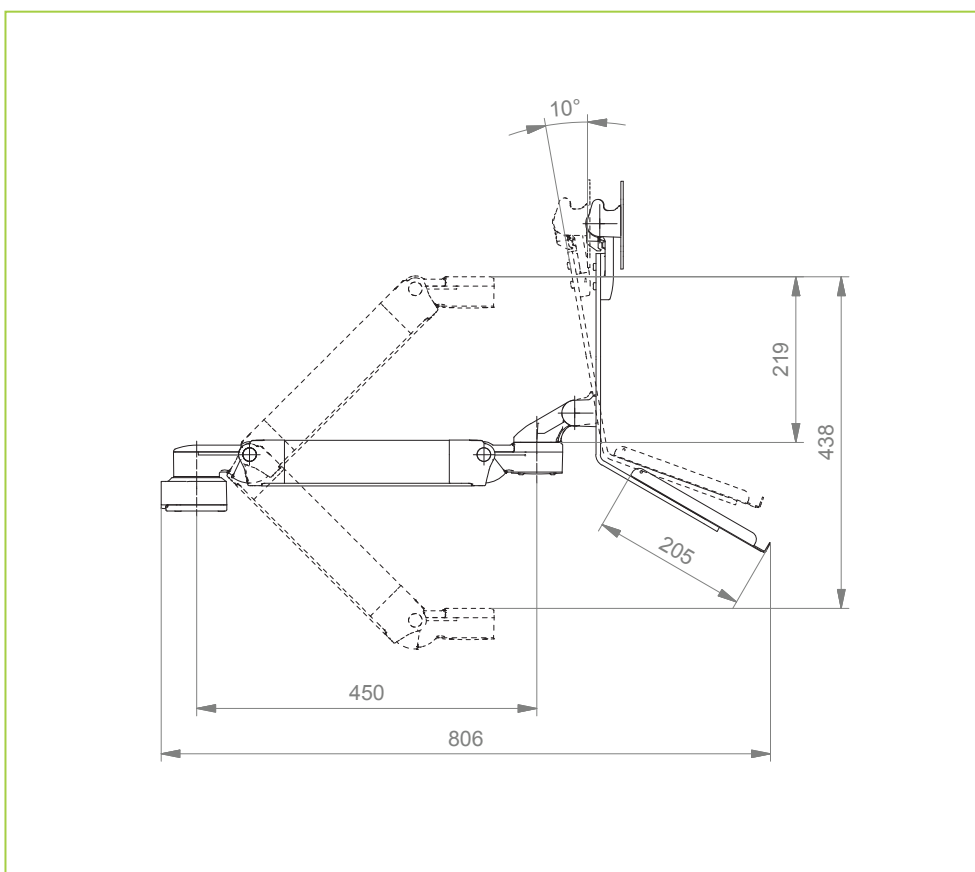
Adapter for anaesthesia machines with existing side channel



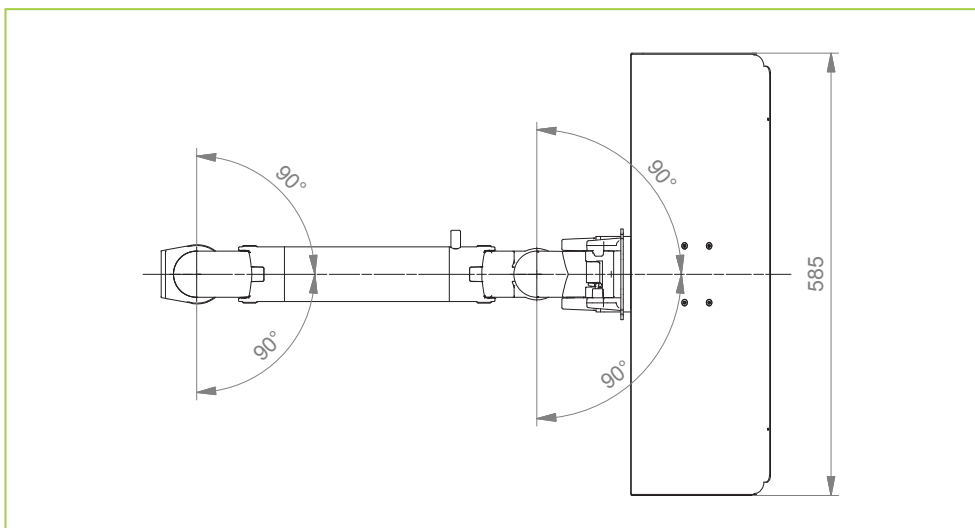
HEIGHT ADJUSTABLE ARM

Technical data - keyboard tray 580 x 200 mm/ 22.8 x 7.9"

Side view



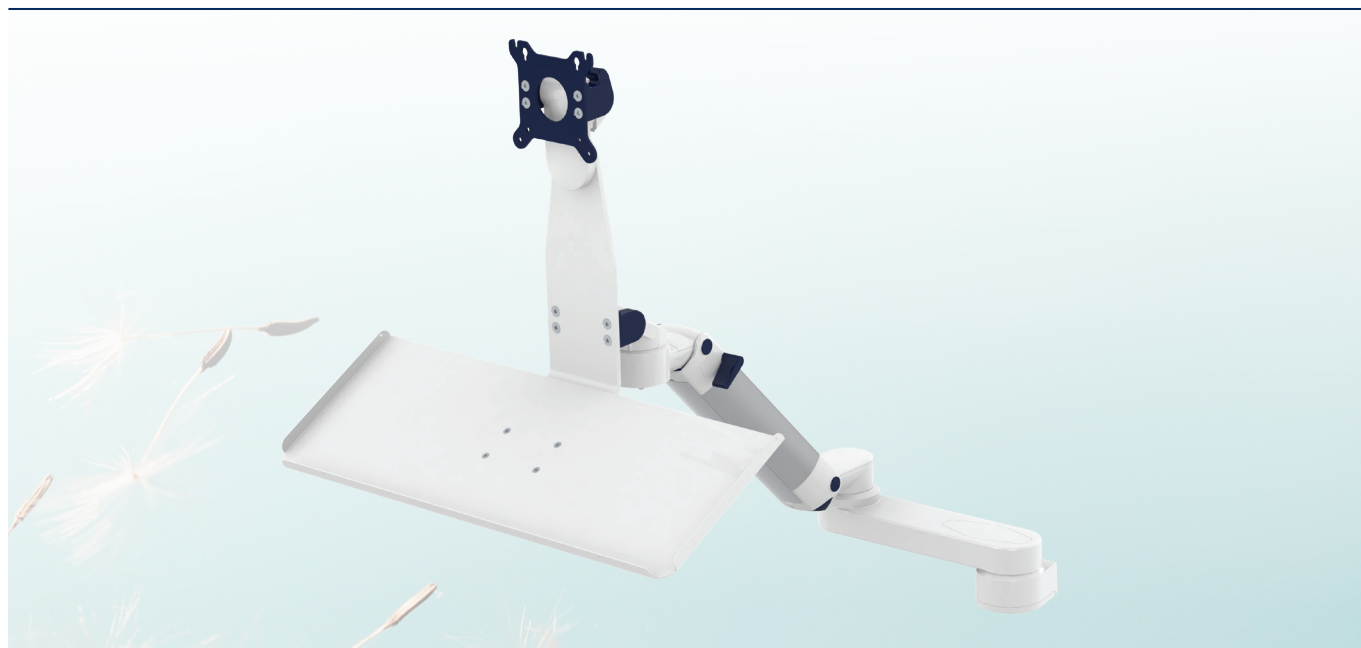
Top view





EXTENDED HEIGHT ADJUSTABLE ARM

Monitor/ keyboard adaption	L-bracket VESA 75/ 100 and keyboard/ mouse tray
Height adjustment	slow-flowing spring, parallel linkage for a constant viewing angle
Colours to choose	decorative parts: RAL 5013 blue / RAL 7024 dark grey aluminum parts: RAL 9016 pure white / RAL 9002 grey white
Max. load capacity support arm	18 kg/ 39.7 lbs
Max. load monitor adaptation	12 kg/ 26.5 lbs
Product weight	6.8 - 8.2 kg/ 15 - 18 lbs (according to dimensions of keyboard tray)
Balancing range	950 N (2 - 8 kg/ 4.4 - 17.6 lbs); 1300 N (6 - 12 kg/ 13.2 - 26.5 lbs)
Keyboard tray dimension	300 x 210 mm, 400 x 150 mm, 500 x 200 mm, 580 x 200 mm 11.8 x 8.3", 15.7 x 5.9", 19.7 x 7.9", 22.8 x 7.9"
Part number	A-73130L-Y.CD_X_T



Fixings Y / details page 15 and 16



Adapter for vertical wall channel



Fixed rail clamp



Vertical rail clamp



Dual vertical rail clamp



Fixed / universal pole clamp



Adapter Trumpf klinoPORT front



Adapter for Maquet anaesthesia machines



Adapter for Heinen & Löwenstein anaesthesia machines



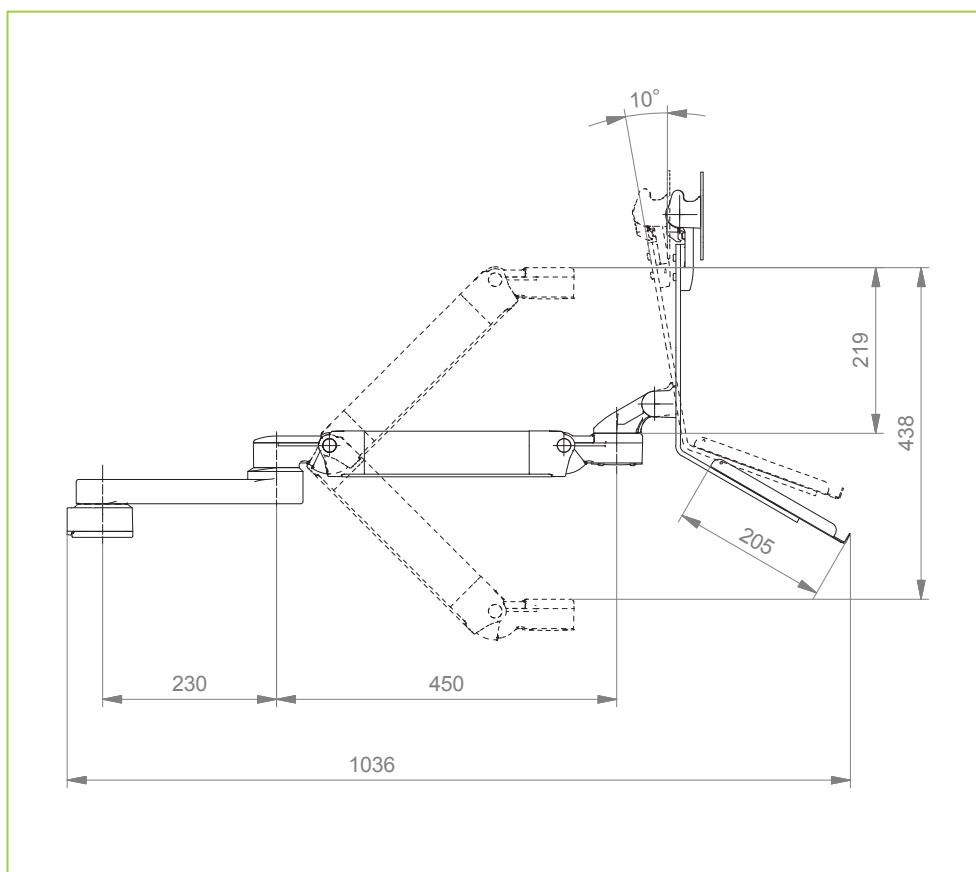
Adapter for anaesthesia machines with existing side channel



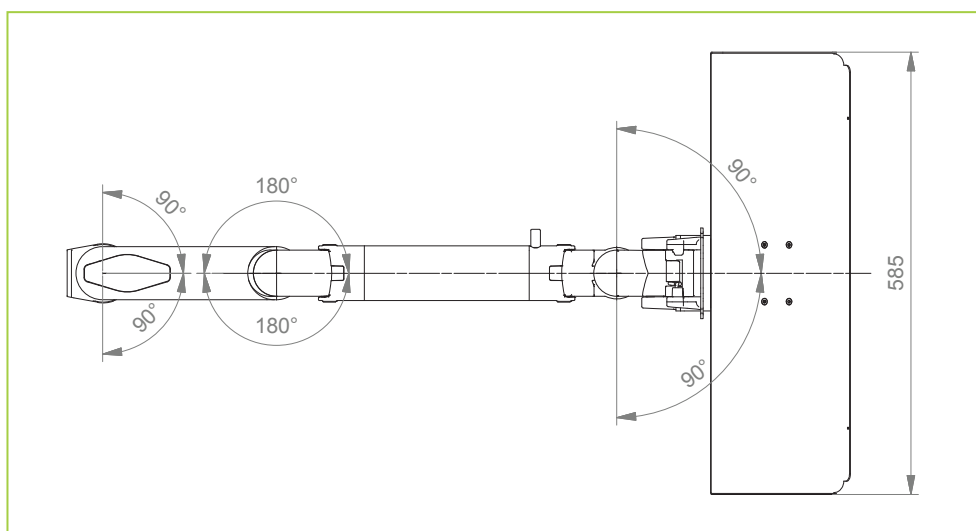
EXTENDED HEIGHT ADJUSTABLE ARM

Technical data - keyboard tray 580 x 200 mm/ 22.8 x 7.9"

Side view










Top view





FIXINGS



Illustration	Description	Notes	Part. no
	Adapter for vertical wall channel	To mount to CIM wall channel (compatible with GCX channel) Please order separately: CIM wall channel, see catalogue accessoires	4V
	Fixed rail clamp	To mount to horizontal European rails 10 x 25, 8 x 35, 10 x 30, 10 x 50 mm for all arms	2F
	Vertical rail clamp	To mount to vertical European rail 10 x 25 mm	3
	Dual vertical rail clamp	To mount to two parallel vertical European rails 10 x 25, 8 x 35, 10 x 30, 10 x 50 mm Distance between rails 150 mm/ 5.9", e.g. Dräger pendant Distance between rails 225 mm/ 8.9", e.g. Trilux pendant	3DR 3TX
	Fixed pole clamp	To mount to pole \varnothing 25 mm/ 1.0" To mount to pole \varnothing 35 mm/ 1.4" To mount to pole \varnothing 38 mm/ 1.5"	1 1F 1C
	Universal pole clamp	V-block to mount to pole \varnothing 23 - 40 mm/ 0.9 - 1.6"	1V
	Adapter for Trumpf	For Trumpf klinoPORT frontal	82



FIXINGS FOR ANAESTHESIA MACHINES



Illustration	Description	Notes	Part. no
	Adapter for Maquet anaesthesia machines	Cone adapter for Maquet FLOW i	10
	Adapter for Heinen & Löwenstein anaesthesia machines	Adapter for Leon/ Leon plus	9
	Adapter for anaesthesia machines (all suppliers)	H 80 mm/ 3.1" With existing side channel	4U
If your anaesthesia machine does not have a side channel already mounted to the machine, please order the following in addition to 4U:			
	Adapter for Dräger 	Dräger Primus/ Julian/ Cato/ Fabius GS/ Zeus side channel adapter L 127 mm/ 5" side channel adapter L 320 mm/ 12.6"	DR-J01 DR-J02
	Adapter for GE 	GE Avance/ Aespire/ Aestiva side channel adapter L 200 mm/ 7.9"	DX-AES-01



CIM med GmbH • Euro-Industriepark • Margot-Kalinke-Str. 9 • 80939 Munich/ Germany
Phone +49 89. 978 94 08-0 • Telefax +49 89. 978 94 08-29 • E-mail info@cim-med.com
www.cim-med.com